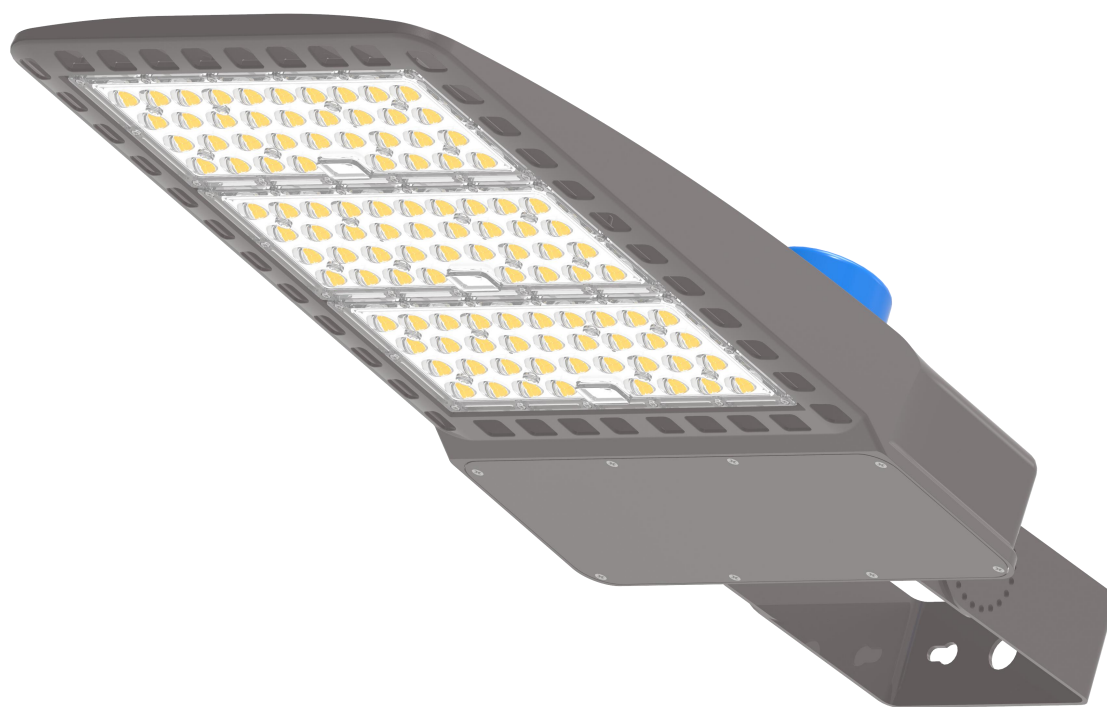




AMERICAN SHOEBOX SERIES AREA LIGHT

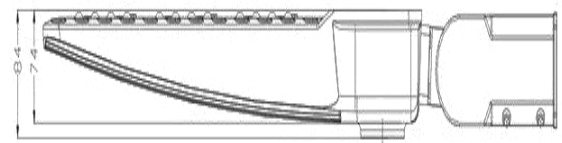
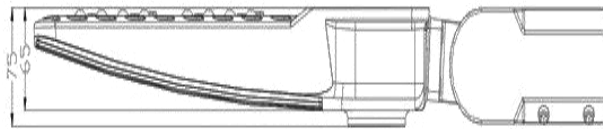
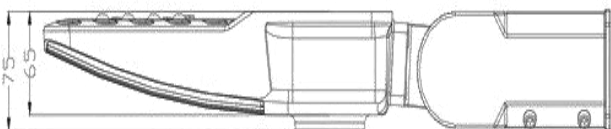
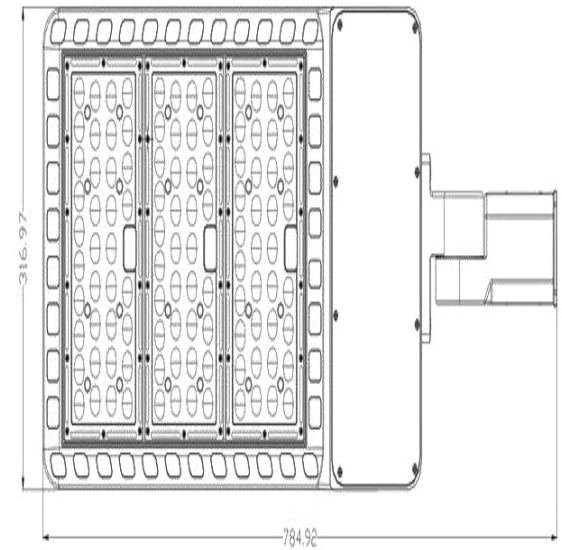
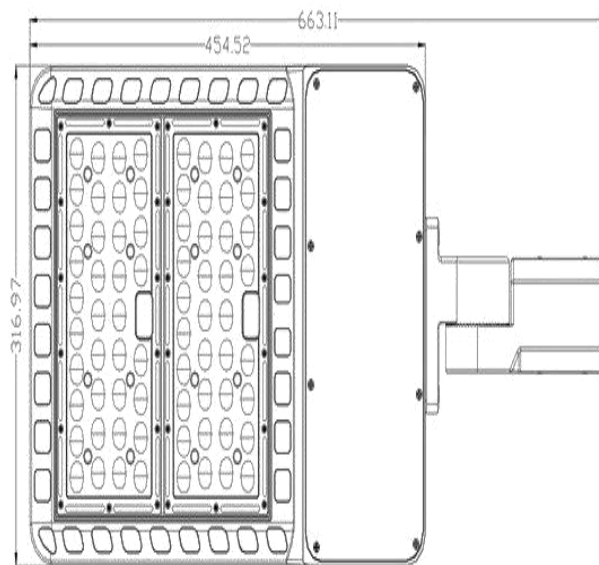
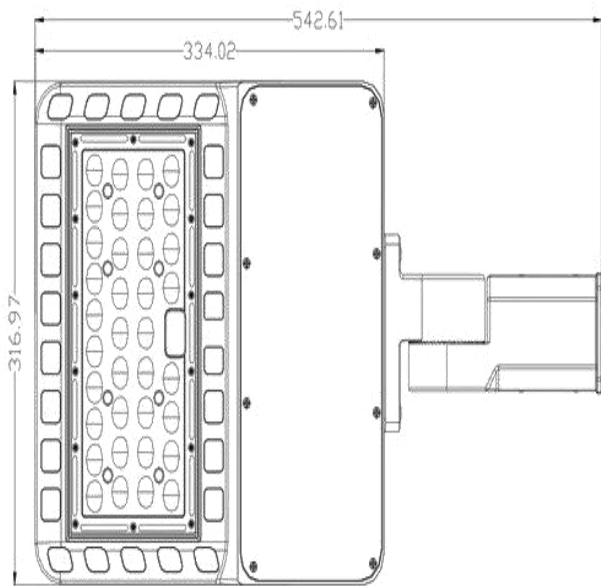




PRODUCT PICTURE:



PRODUCT DIMENSION IMAGE (MM):





PRODUCT TECHNICAL PARAMETERS

MODEL NO.	MSXHD-100	MSXHD-200	MSXHD-300
LAMP POWER	100W	200W	300W
INPUT VOLTAGE	AC85-277V	AC85-277V	AC85-277V
FREQUENCY RANGE	50-60Hz	50-60Hz	50-60Hz
PF	>0.9	>0.9	>0.9
LEDs	3030	3030	3030
POWER SUPPLY	EXTERNAL ISOLATION	EXTERNAL ISOLATION	EXTERNAL ISOLATION
BEAM ANGLE	150*80°	150*80°	150*80°
CCT	4000-6500K	4000-6500K	4000-6500K
LUMENS	15500lm	31000lm	46500lm
CRI	>80	>80	>80
HOUSING MATERIAL	DIE-CASTING ALUMINUM	DIE-CASTING ALUMINUM	DIE-CASTING ALUMINUM
PRODUCT SIZE (MM)	542*316*65	663*316*65	785*316*75
IP RATING	IP66	IP66	IP66
WORKING TEMPERATURE	-20°+50°	-20°+50°	-20°+50°
WARRANTY	3 YEARS	3 YEARS	3 YEARS



PRODUCT CHARACTERISTIC:

- ◆ Dusk to Dawn Photocell-The photocell sensor detects ambient light and powers the LED on/off automatically. It can be easily removed if needed.
- ◆ High Brightness LED Chips-Long-lasting Seoul 3030 LED chips ensure a higher output efficiency of 130lm/W of uniform luminous illumination.
- ◆ Super Heat Dissipation-Hollow out heat sink design keeps internal and external pressure in balance to fulfil its function waterproof function and heat dissipation.
- ◆ Adjustable Angle-180° adjustable angle which can meet the needs of different irradiation directions.
- ◆ IK08 Rating-Owing to the die-cast aluminum housing and robust PC lens, DS parking lot lights have an IK08 impact resistance rating.

APPLICATION:

Path Lighting, Sport Court Lighting, High Mast Lighting, Parking Lot lighting, Villa Lighting and etc.



<https://www.lighting-ds.com>



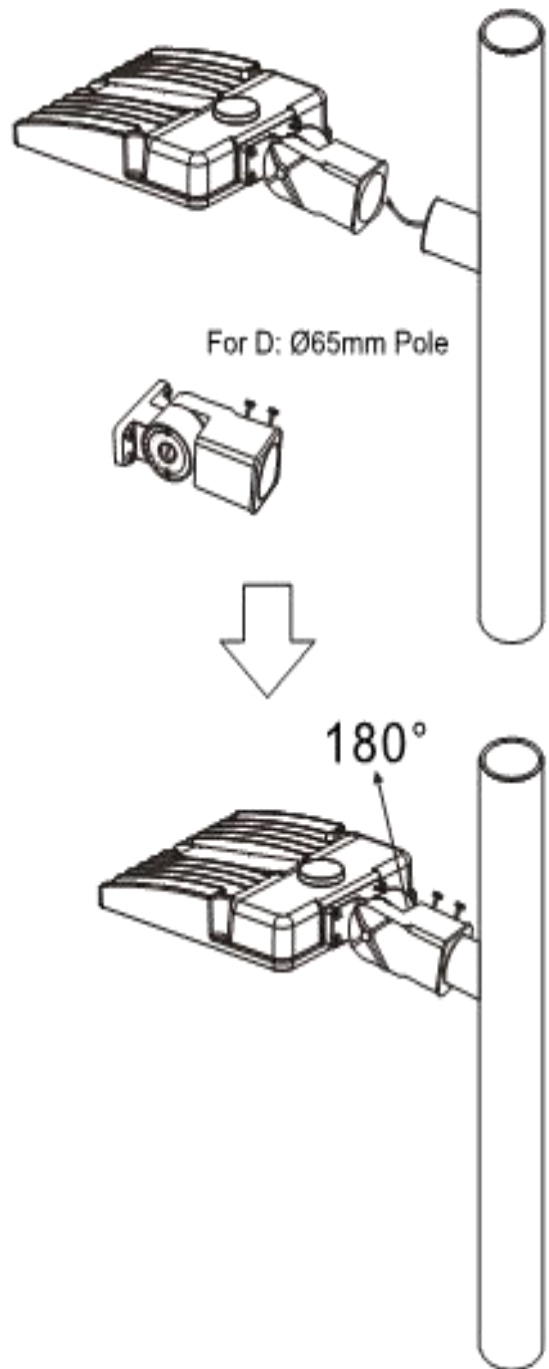
MOUNTING ACCESSORIES:



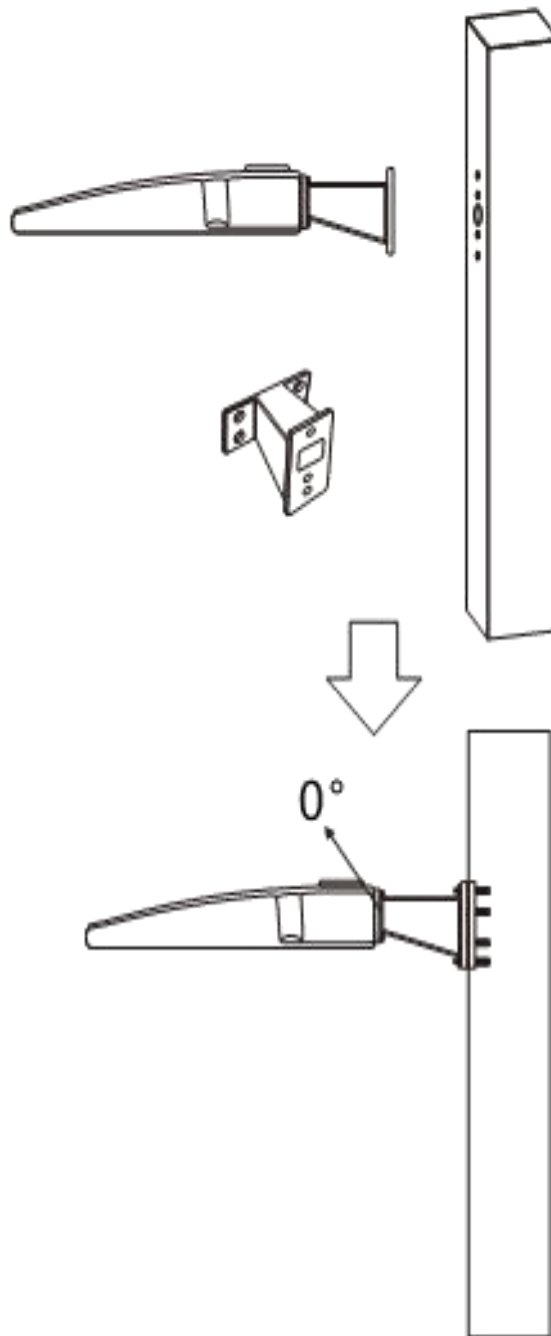


MOUNTING WAY:

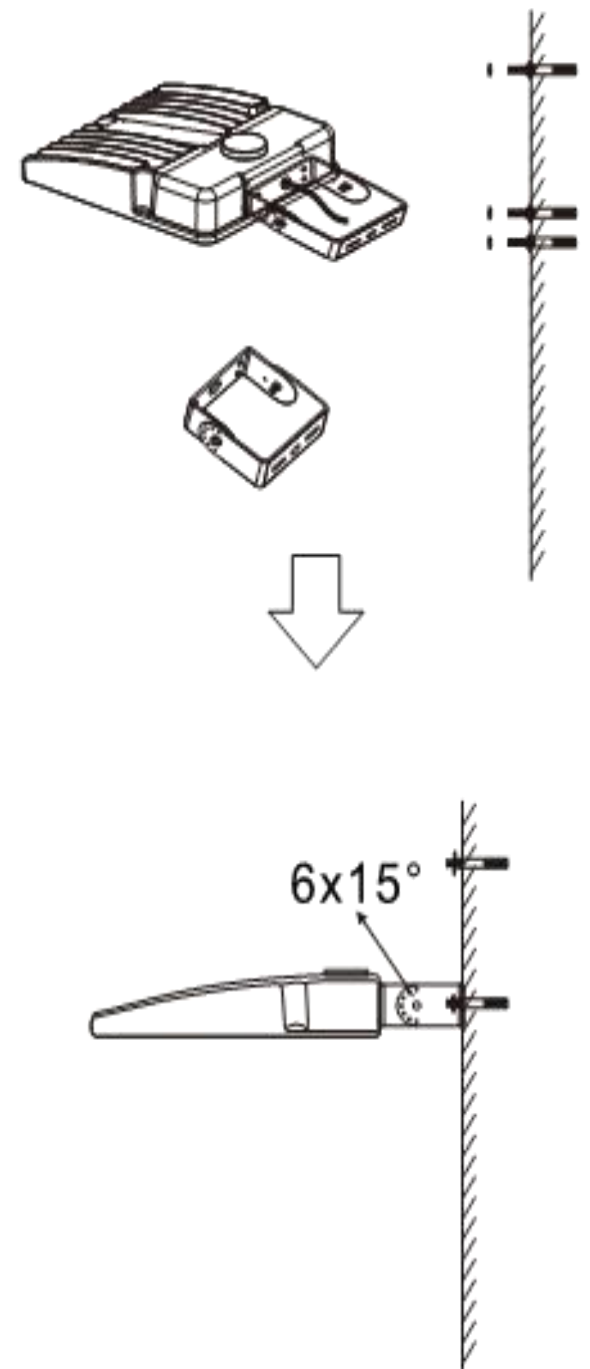
Round Pole Bracket (Type A)



Straight Bracket (Type B)



Wall Mounted Bracket (Type C)





PACKING PICTURE:

