



# MTX SERIES STREET LIGHT

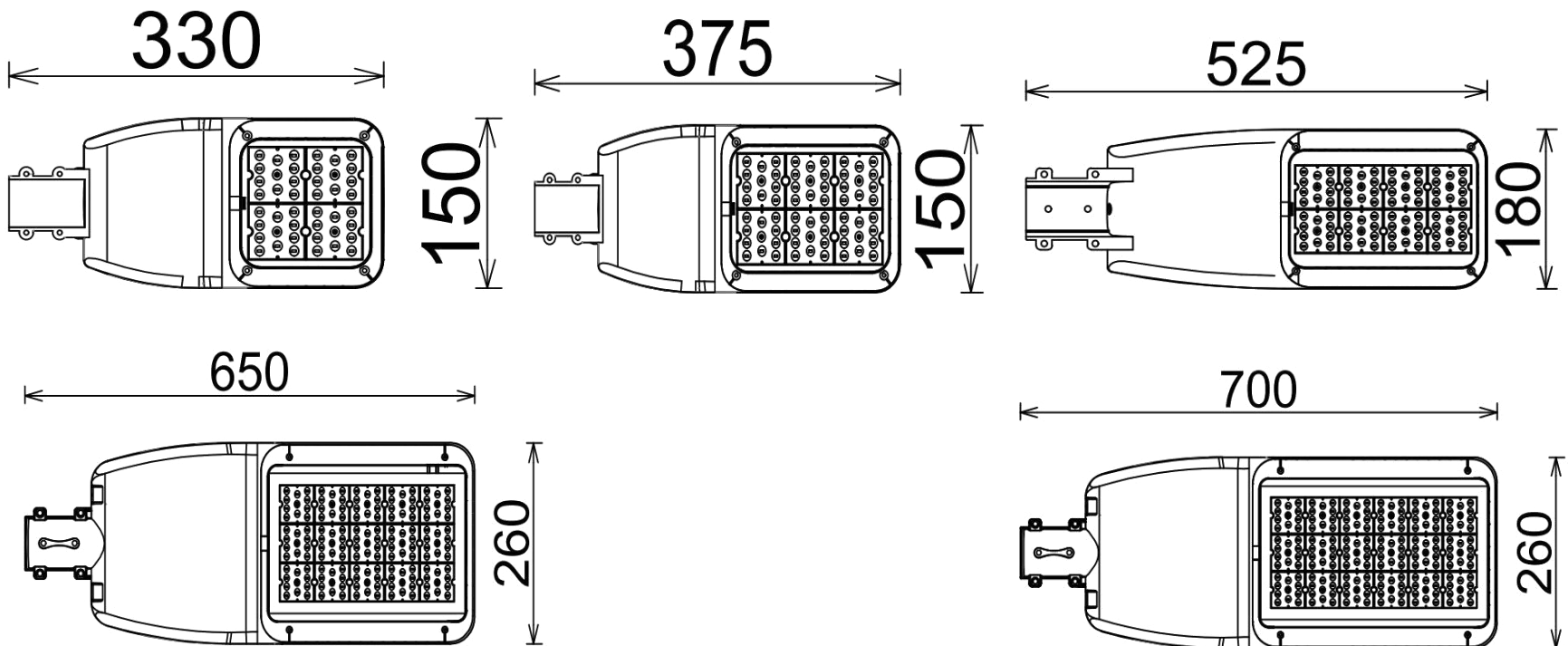




## PRODUCT PICTURE:



## PRODUCT DIMENSION IMAGE:





## PRODUCT TECHNICAL PARAMETERS

MODEL NO.	MTXLD-40	MTXLD-60	MTXLD-100	MTXLD-150	MTXLD-200
LAMP POWER	40W	60W	100W	150W	200W
INPUT VOLTAGE	AC85-265V	AC85-265V	AC85-265V	AC85-265V	AC85-265V
FREQUENCY RANGE	50-60Hz	50-60Hz	50-60Hz	50-60Hz	50-60Hz
PF	>0.9	>0.9	>0.9	>0.9	>0.9
LEDs	3030	3030	3030	3030	3030
POWER SUPPLY	EXTERNAL ISOLATION	EXTERNAL ISOLATION	EXTERNAL ISOLATION	EXTERNAL ISOLATION	EXTERNAL ISOLATION
BEAM ANGLE	80°-150°	80°-150°	80°-150°	80°-150°	80°-150°
CCT	4000-5500K	4000-5500K	4000-5500K	4000-5500K	4000-5500K
LUMENS	5500LM	9000LM	15000LM	22500LM	31000LM
CRI	>70	>70	>70	>70	>70
HOUSING MATERIAL	EXTERNAL ISOLATION	EXTERNAL ISOLATION	EXTERNAL ISOLATION	EXTERNAL ISOLATION	EXTERNAL ISOLATION
PRODUCT SIZE (MM)	330*150*65	375*150*65	525*180*65	650*260*95	700*260*95
IP RATING	IP65	IP65	IP65	IP65	IP65
WORKING TEMPERATURE	-20°+50°	-20°+50°	-20°+50°	-20°+50°	-20°+50°
WARRANTY	3 YEARS	3 YEARS	3 YEARS	3 YEARS	3 YEARS



## PRODUCT CHARACTERISTIC:

- Light housing is made of aluminum Die-casting, the surface treated by Spray-painting to Prevent Corrosion and Color Persistence.
- Die casting aluminum housing , Power choose 40w 60w 100w 150w 200w, IP65 waterproof Aluminum case
- 304 stainless steel screws prolong complete streetlight life time, High heat dissipation conductive
- Ventilation design theory to dust prevention & prevent stagnant water to achieve the light long-life time.

## APPLICATION:

Rural road lighting, Monitoring and lighting of farms, barns, doorways, and courtyards, Homestay, resort, and hotel outdoor lighting, Square, parking lot, playground lighting

